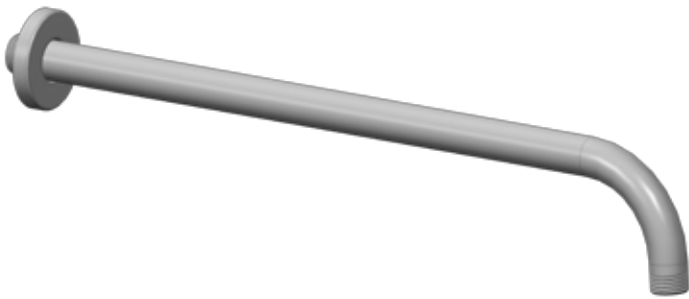
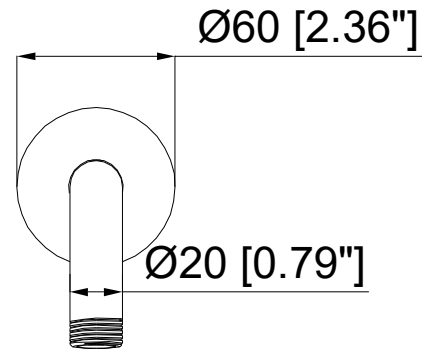
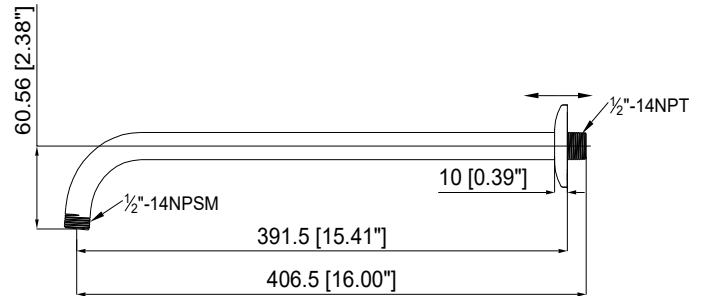


# DECO COLLECTION

## Item Image



## Item Technical Drawing



## Item Details

- 16" Shower Arm
- Model #200.015.110
- Finish : Chrome

## Item Description

- Solid Brass Construction
- Round Escutcheon
- Chrome Finish

## Codes / Compliance

- Certified Lead Free
- ADA Compliant
- ASME A112.18.1/CSA B125.1
- SKU # 38QT
- UPC FILE # 3646



**LUCCA** by **Opella**